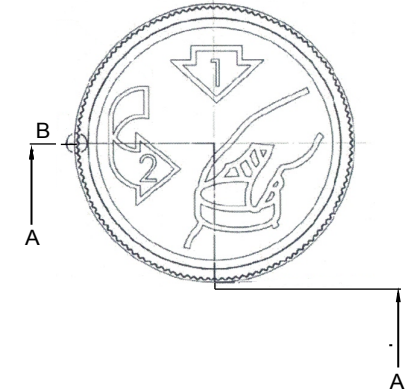
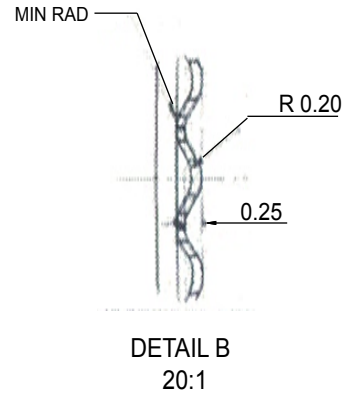
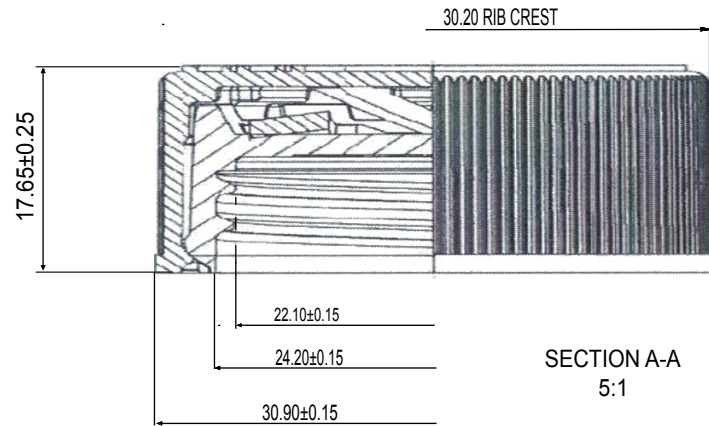


Thread Details

PITCH: 3.20MM
NO. OF TURNS 1.25



Height/Lengh	Tolerance
<1	±0.2
>1	±0.4
>5	±0.8
>50	±1.0
>100	±1.6
>200	±2.0
Diameter	Tolerance
<25	±0.4
>25	±0.8
>50	±1.2



Material	PP, HDPE	Drawing no.	CRC24-W-W-B024-18-00	Controlled Document
Weight	5.2±0.2g	Description Clic- Loc Closure Ribbed Wall Wadded Cap Suits to 24mm Neck CRC24-W-W		
Scale	1:1			
Unit	mm			
Drawn by	Rahul			
Approved by		<p style="text-align: center;">Synergy Packaging</p> <p style="text-align: right;">* Customer Copy *</p>		
0	24/08/18			
Revision	Date			