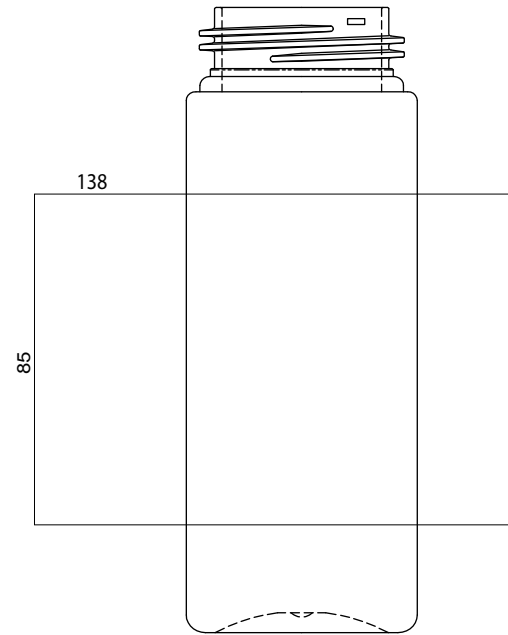
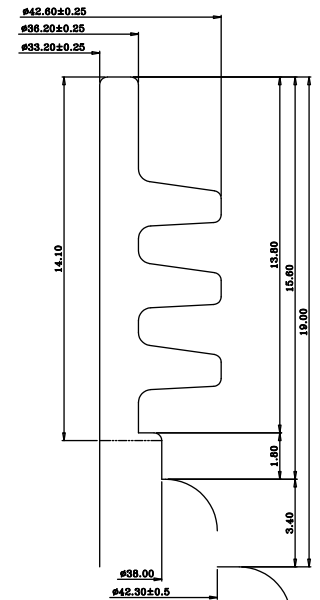


BOTTOM VIEW



Screen Print Dimensions



NECK DETAIL

SCALE 10/1

Brimful: 210±8ml

Height/Lengh	Tolerance
<1	±0.2
>1	±0.4
>5	±0.8
>50	±1.0
>100	±1.6
>200	±2.0
Diameter	Tolerance
<25	±0.4
>25	±0.8
>50	±1.2

Material	PET	Drawing no.	FB15042-C-B042-19-00	Controlled Document
Weight	38±1g	Description 150ml Foam Bottle Suits 42mm Neck Foam Pump FB15042C		
Scale	1:1			
Unit	mm			
Drawn by	Rahul			
Approved by		Synergy Packaging		
* Customer Copy *				

Revision	Date	Modifications
1	24/10/19	Printing Dimensions added
0	23/04/19	