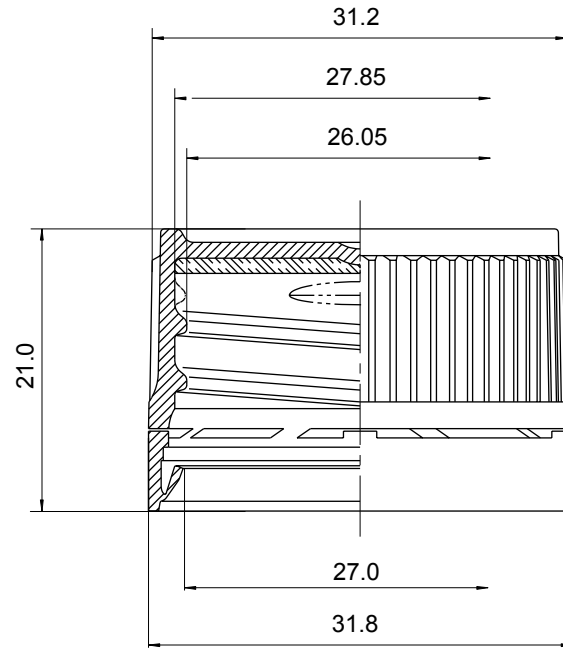
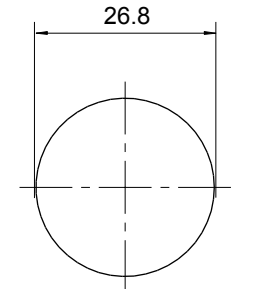
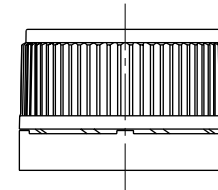
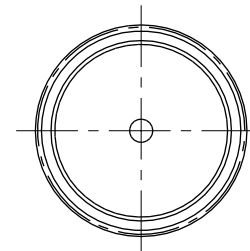


Thread Details

Pitch: 4.23mm
No. of Turns: 1.75



Scale 2:1



Wad Details

Height/Lengh	Tolerance
<1	±0.2
>1	±0.4
>5	±0.8
>50	±1.0
>100	±1.6
>200	±2.0
Diameter	Tolerance
<25	±0.4
>25	±0.8
>50	±1.2



Material	PP, PE	Drawing no.	RW28TT-C028-16-00	Controlled Document	
Weight	3.6±0.4g	Description Ribbed Wall Waded Screw Cap to Suit 28mm Tampertel Neck RW28TT			
Scale	1:1				
Unit	mm				
Drawn by	A.Song				
Approved by		<p style="text-align: center;">Synergy Packaging</p> <p style="text-align: right;">* Customer Copy *</p>			
Revision	Date				Modifications
0	23/09/16				

Revision	Date	Modifications
0	23/09/16	