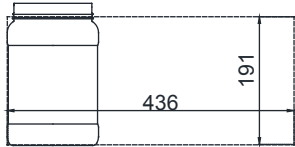
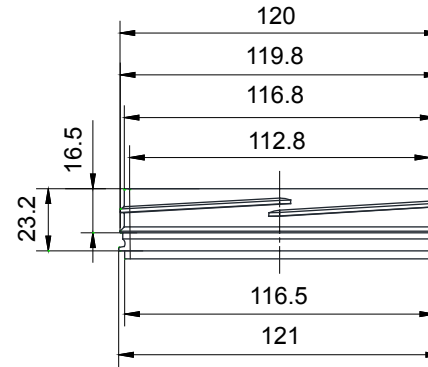


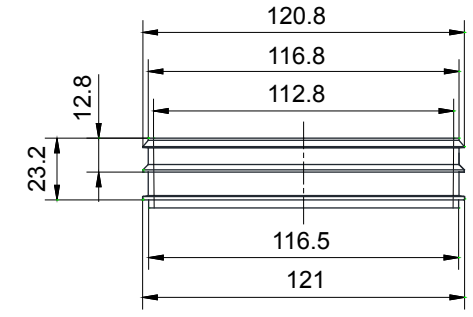
Suggested Label Dimensions



Sleeve Dimensions



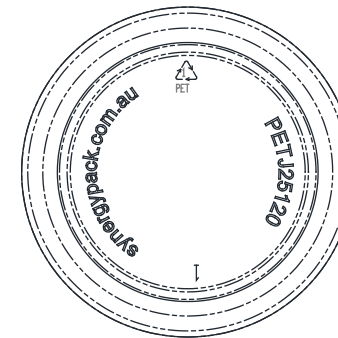
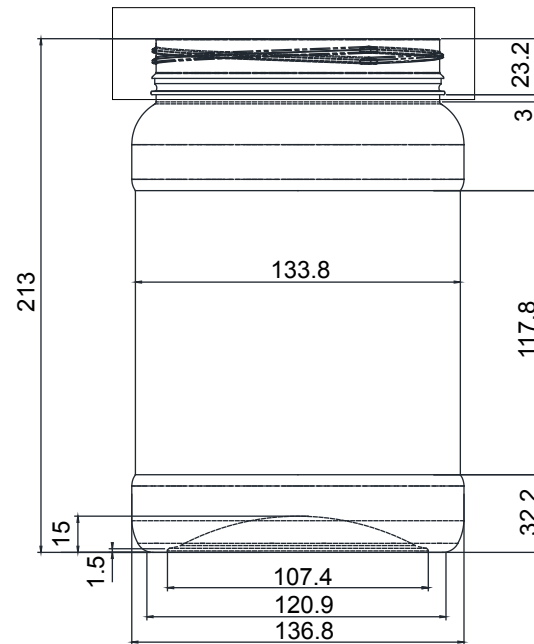
Screw Neck



Snap On Neck

Neck Details

See Neck Details Drawing



Bottom View

Brimful: 2700±100ml

Height/Lengh	Tolerance
<1	±0.2
>1	±0.4
>5	±0.8
>50	±1.0
>100	±1.6
>200	±2.0
Diameter	Tolerance
<25	±0.4
>25	±0.8
>50	±1.2



Material	PET	Drawing no.	W25120-J120-17-01	Controlled Document
Weight	Min. 145g	Description 2.5L Wide Mouth Jar with 120mm Screw or Snap On Neck W25120RW / W25120JC		
Scale	1:3			
Unit	mm			
Drawn by	A.Song			
Approved by		Synergy Packaging		
Revision				

Revision	Date	Modifications
1	23/06/17	Updated suggested label dimensions
0	14/12/16	