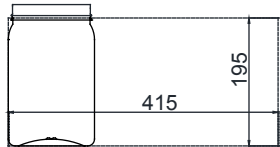
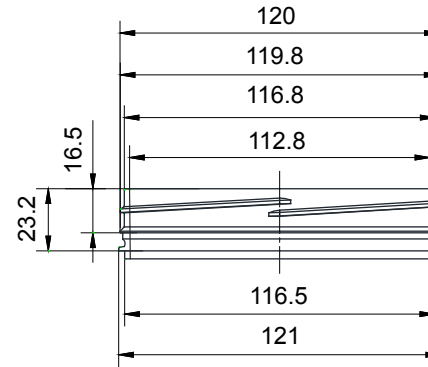


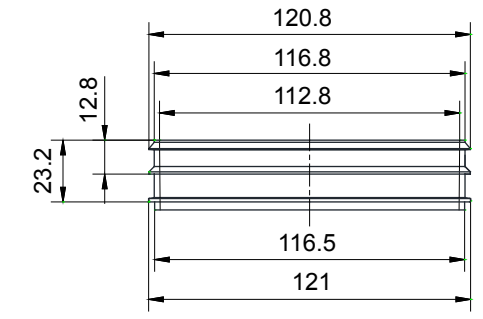
Suggested Label Dimensions



Suggested Sleeve Dimensions



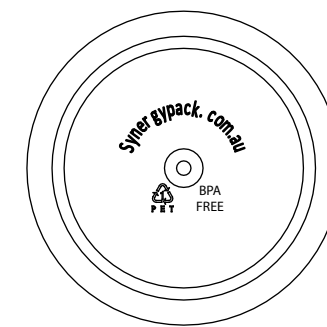
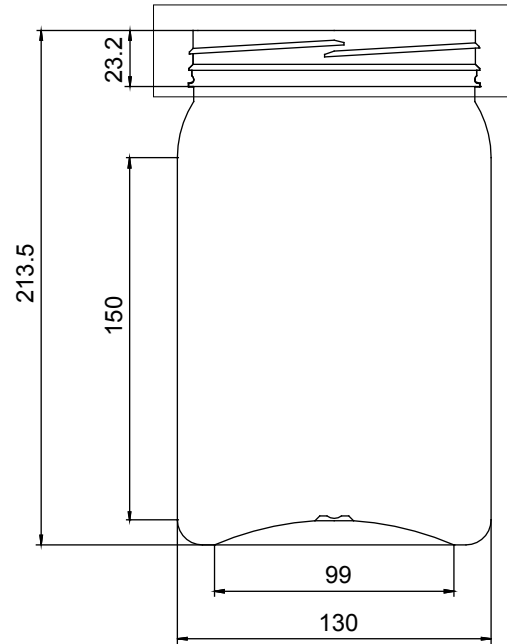
Screw Neck



Snap On Neck

**Neck Details**

See Neck Details Drawing



**Bottom View**

Brimful: 2500±100ml

Height/Lengh	Tolerance
<1	±0.2
>1	±0.4
>5	±0.8
>50	±1.0
>100	±1.6
>200	±2.0
Diameter	Tolerance
<25	±0.4
>25	±0.8
>50	±1.2



Material	PET	Drawing no.	W25120NLP-J120-17-01	Controlled Document	
Weight	Min. 145g	Description 2.5L Non Lable Protection Wide Mouth Jar with 120mm Screw or Snap On Neck W25120NLPRW / W25120NLPJC			
Scale	1:3				
Unit	mm				
Drawn by	A.Song				
Approved by		<h1>Synergy Packaging</h1> <p>* Customer Copy *</p>			
Revision	Date				Modifications
1	30/06/17				Added suggested label and sleeve dimensions
0	14/12/16				