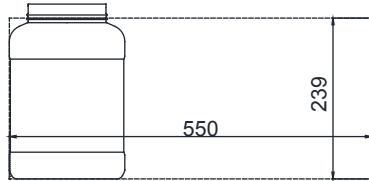
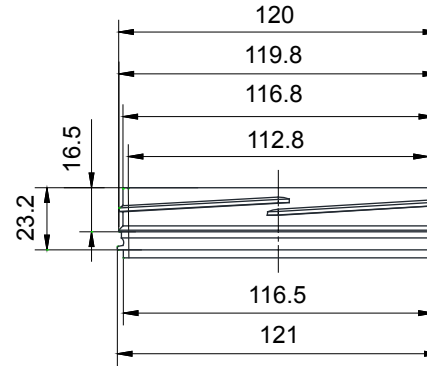


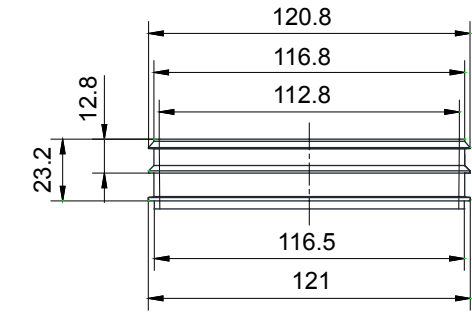
Suggested Label Dimensions



Sleeve Dimensions

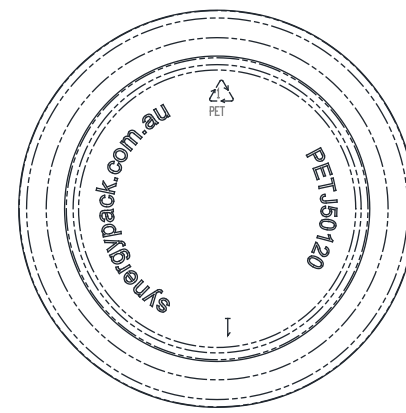
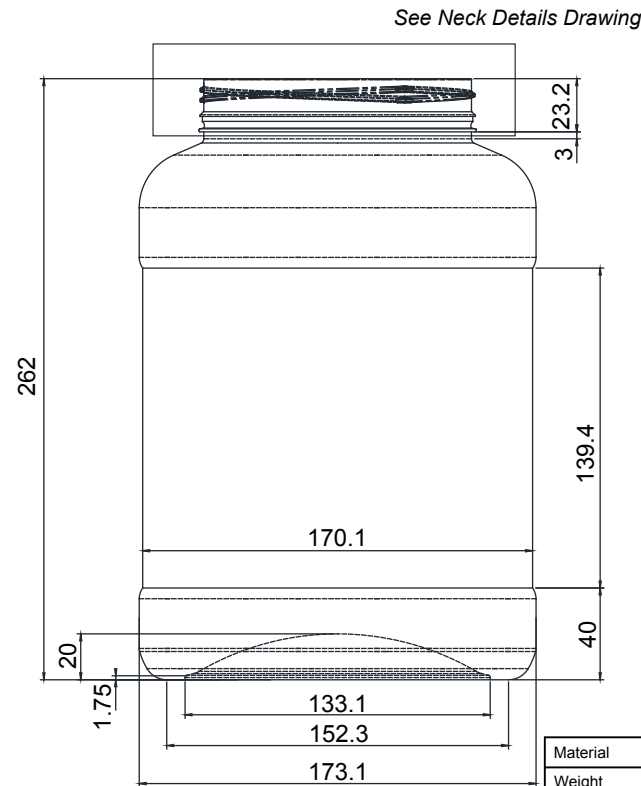


Screw Neck



Snap On Neck

Neck Details



Bottom View

Brimful: 5200±300ml

Height/Lengh	Tolerance
<1	±0.2
>1	±0.4
>5	±0.8
>50	±1.0
>100	±1.6
>200	±2.0
Diameter	Tolerance
<25	±0.4
>25	±0.8
>50	±1.2

Material	PET	Drawing no.	W50120-J120-17-01	Controlled Document
Weight	Min. 250g	Description		
Scale	1:3	5L Wide Mouth Jar with 120mm Screw or Snap On Neck W50120RW / W50120JC		<p style="text-align: center; font-size: 24px; font-weight: bold;">Synergy Packaging</p> <p style="text-align: right; font-size: 12px;">* Customer Copy *</p>
Unit	mm			
Drawn by	A.Song			
Approved by				

Revision	Date	Modifications
1	26/06/17	Updated suggested label dimensions
0	14/12/16	