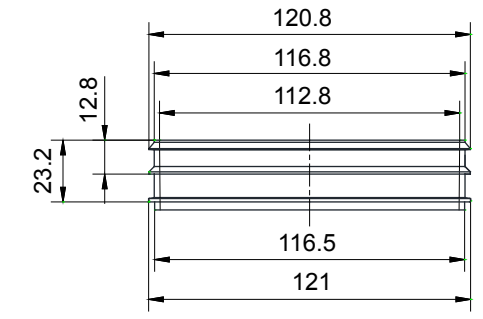


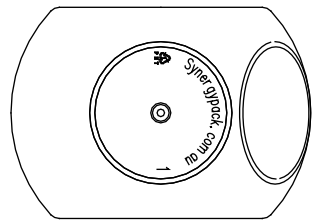
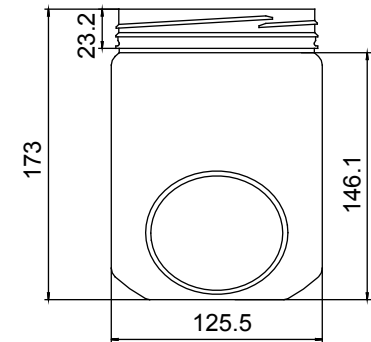
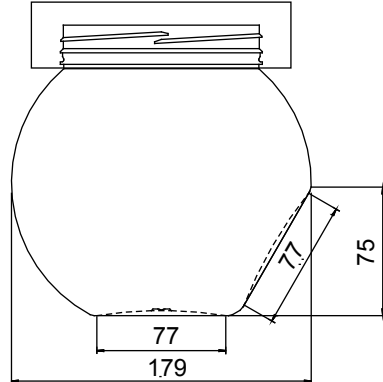
Screw Neck



Snap On Neck

Neck Details

See Neck Details Drawing



| Height/Lengh | Tolerance |
|--------------|-----------|
| <1 | ±0.2 |
| >1 | ±0.4 |
| >5 | ±0.8 |
| >50 | ±1.0 |
| >100 | ±1.6 |
| >200 | ±2.0 |
| Diameter | Tolerance |
| <25 | ±0.4 |
| >25 | ±0.8 |
| >50 | ±1.2 |

Brimful: 2600±100ml

| | | | | |
|-------------|-----------|--|----------------------|---------------------|
| Material | PET | Drawing no. | WCJ25120 -J120-16-00 | Controlled Document |
| Weight | Min. 134g | Description Double Based 2.5L Candy Jar with 120mm Screw or Snap On Neck WCJ25120RW / WCJ25120JC | | |
| Scale | 1:4 | | | |
| Unit | mm | | | |
| Drawn by | A.Song | | | |
| Approved by | | Synergy Packaging | | |
| 0 | 15/12/16 | | | |
| Revision | Date | | | |

* Customer Copy *