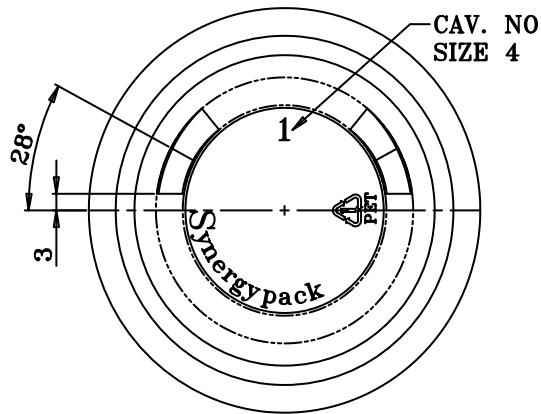


Screen Print Dimensions*



Height/Lengh	Tolerance
<1	±0.2
>1	±0.4
>5	±0.8
>50	±1.0
>100	±1.6
>200	±2.0
Diameter	Tolerance
<25	±0.4
>25	±0.8
>50	±1.2

Brimful: 340±5ml

Material	PET	Drawing no.	JAR30070 -J070-19-01	Controlled Document
Weight	33±1g	Description 300ml Jar with 70mm Neck JAR30070		
Scale	1:1			
Unit	mm			
Drawn by	Rahul			
Approved by		<p align="center">Synergy Packaging</p> <p align="right">* Customer Copy *</p>		
Revision	Date			

1	11/06/20	Added screen printing dimensions
0	25/11/19	
Revision	Date	Modifications