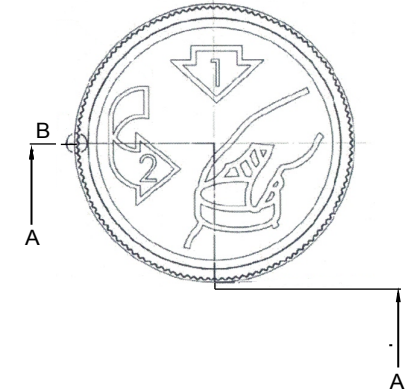
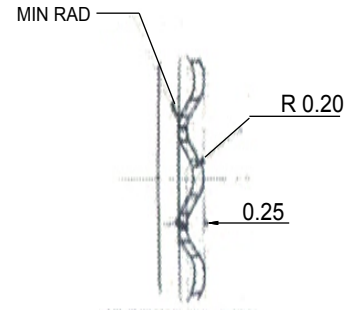
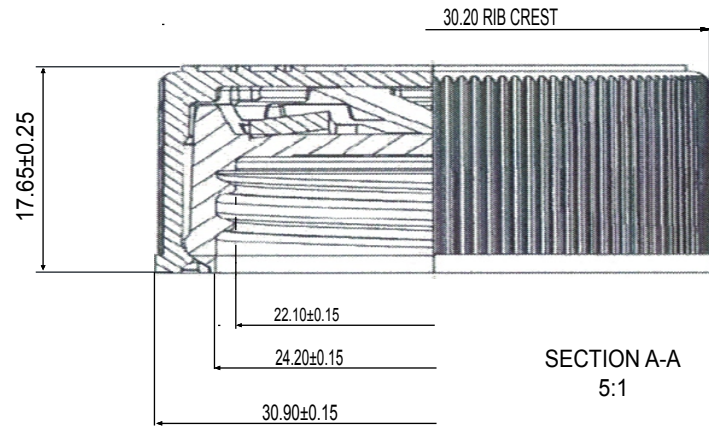


Thread Details

PITCH: 3.20MM
NO. OF TURNS 1.25



Height/Lengh	Tolerance
<1	±0.2
>1	±0.4
>5	±0.8
>50	±1.0
>100	±1.6
>200	±2.0
Diameter	Tolerance
<25	±0.4
>25	±0.8
>50	±1.2



Material	PP, HDPE	Drawing no.	CRC24-W-SW-B024-21-00	Controlled Document
Weight	5.2±0.2g	Description 24mm C-LOC White with Silver Wad CRC24-W-SW		
Scale	1:1			
Unit	mm			
Drawn by	P.Deki			
Approved by		Synergy Packaging <i>* Customer Copy *</i>		
0	12/07/21			
Revision	Date	Modifications		