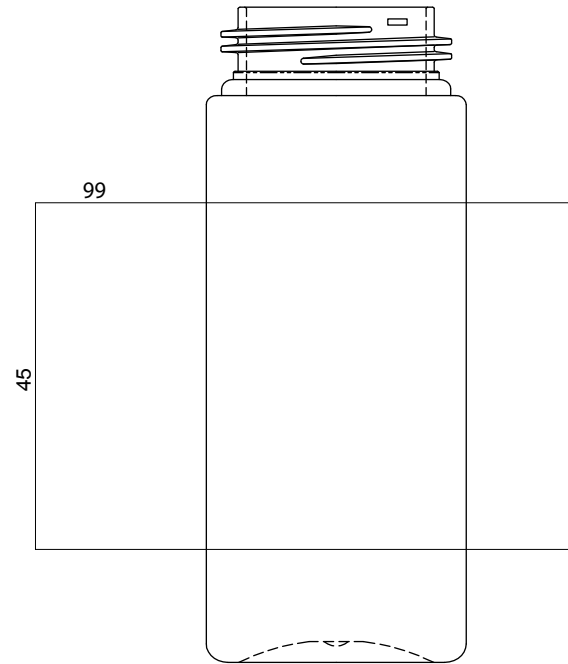
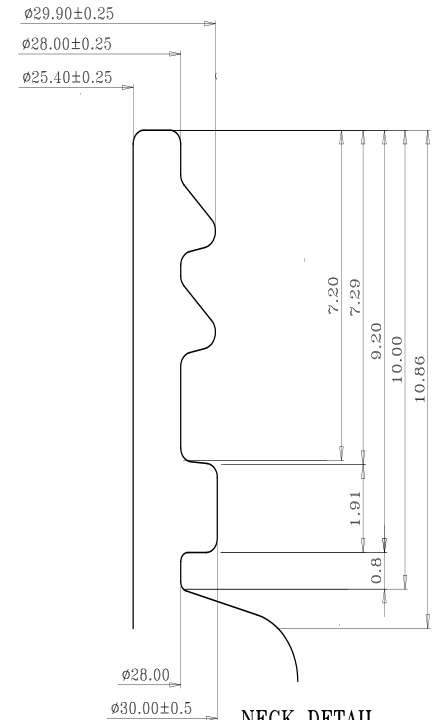


BOTTOM VIEW



Screen Print Dimensions



NECK DETAIL

SCALE 10/1

Brimful: 68±3ml

Height/Length	Tolerance
<1	±0.2
>1	±0.4
>5	±0.8
>50	±1.0
>100	±1.6
>200	±2.0
Diameter	Tolerance
<25	±0.4
>25	±0.8
>50	±1.2

Material	PET	Drawing no.	FB5030-B030-19-01	Controlled Document
Weight	13±1g	Description 50ml Foam Bottle Suits 30mm Neck Foam Pump FB5030		
Scale	1:1			
Unit	mm			
Drawn by	Rahul			
Approved by		<p style="text-align: center;">Synergy Packaging</p> <p style="text-align: right;">* Customer Copy *</p>		
Revision	Date			

0	05/02/20	Added Screen printing Dimension
0	23/04/19	
Revision	Date	Modifications