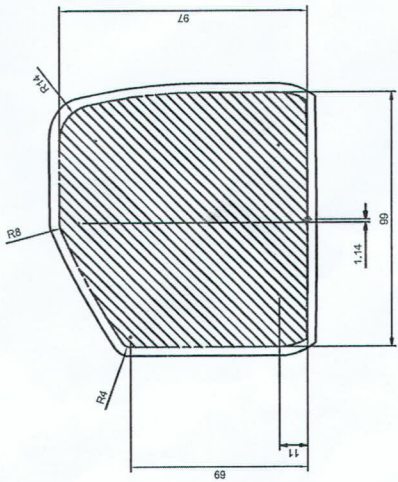
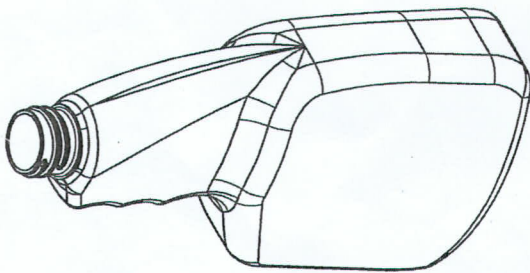
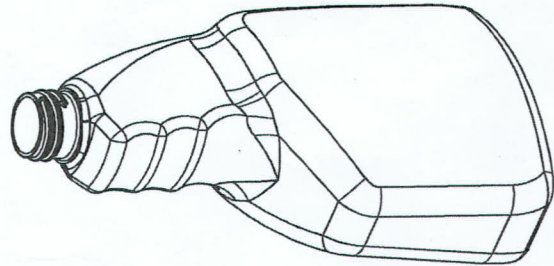
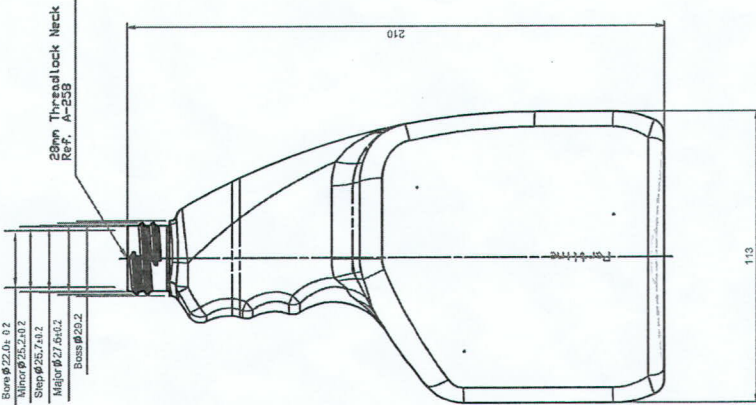
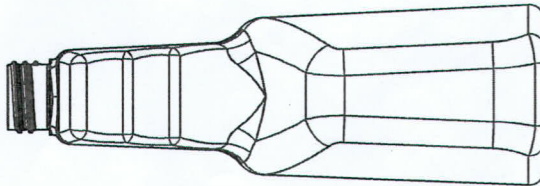


REV. DATE
 B 15.8.13
 General
 revision
 ZdB

DRAWING APPROVAL
 Approved by: *[Signature]*
 For: *[Signature]*
 Date: 15/08/13
 DRAWING IS TO BE SIGNED OFF AS APPROVED AND ACCEPTED. ANY AMENDMENTS MUST BE INITIAL. PLEASE RETURN TO PLASTIC PRODUCTS.

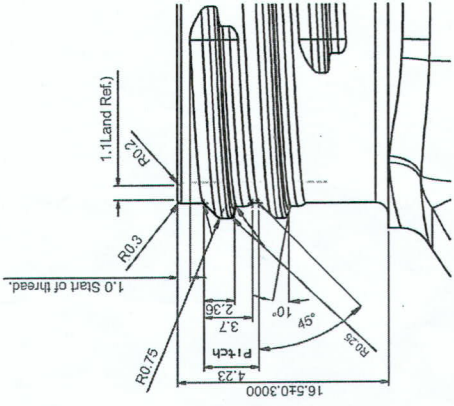


MAXIMUM recommended label area to give 3.5m clearance on 'True' (unwrapped) label panel.



Base #22.0; 0.2
 Minor #25.7; 0.2
 Step #25.7; 0.2
 Major #27.5; 0.2
 Base #20.2

28mm Threadlock Neck
 Ref. A-258



A-258
 Single start, R. H. thread, 1.5 turns, 4.23 Pitch (6 T.P. 1.)
 Scale = 5:1

Material: P. E. T.
 Nominal Brimfull = 790ml ±10ml
 Est. Weight = 489 ± 29

THIS DOCUMENT IS CONFIDENTIAL AND NOT BE LOANED, REPRODUCED, COPIED, EITHER WHOLLY OR IN PART, FOR ANY OTHER PROJECT OR PRODUCT. ANY UNAUTHORIZED DISSEMINATION OF THIS DOCUMENT IS STRICTLY PROHIBITED.	TOLERANCE UNLESS STATED: DIMENSIONS IN PARENTHESES ARE FOR REFERENCE ONLY. DIMENSIONS IN SQUARE PLACES ARE FOR REFERENCE ONLY. DIMENSIONS IN CIRCLES ARE FOR REFERENCE ONLY. DIMENSIONS IN TRIANGLES ARE FOR REFERENCE ONLY. DIMENSIONS IN DIAMOND ARE FOR REFERENCE ONLY. DIMENSIONS IN STAR ARE FOR REFERENCE ONLY.	APPROVED <input checked="" type="checkbox"/>	APPROVED <input checked="" type="checkbox"/>	DATE 3/09/01	DRAWN LJK	PRODUCT # Cinqplast 750ml Generic	SCALE 1:1	SHEETS 1 OF 1	ISSUE # PR4673
--	---	---	---	-----------------	--------------	--------------------------------------	--------------	------------------	-------------------



Ventrex Plastic Products
 10000 Highway 100
 Houston, Texas 77036