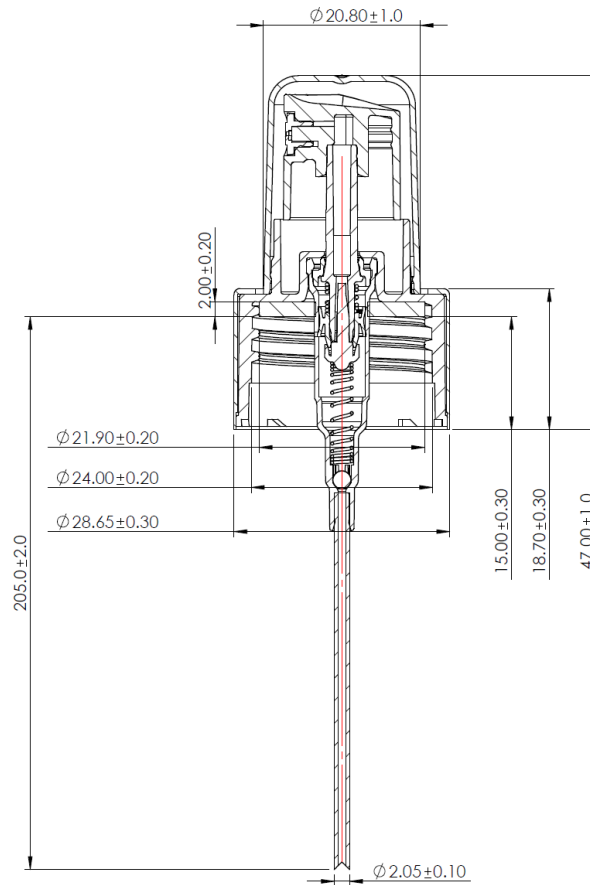
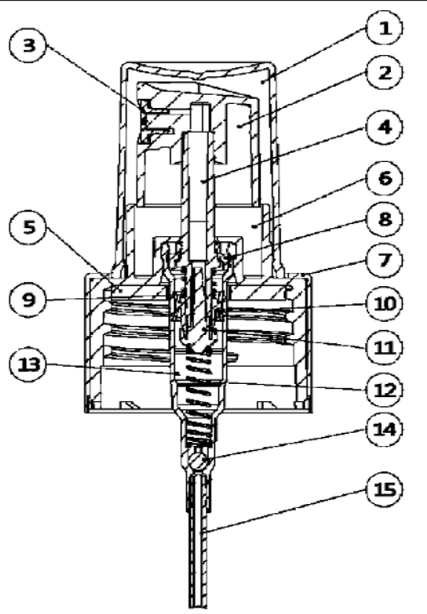


Component	Part Description
1. Over cap	PP. (Natural)
2. Actuator	PP
3. Insert	PP
4. Piston guide	POM. (Natural)
5. Outer gasket	PE
6. Shell	Anodized
7. Container cap	PP. Cap size:20/410
8. Chaplet	PE
9. Spring	Stainless Steel
10. Piston	PE.
10. Piston base	POM
12. Spring	Stainless Steel
13. Housing	PP
14. Ball	Glass
15. Diptube	PP



Height/Length	Tolerance
<1	±0.2
>1	±0.4
>5	±0.8
>50	±1.0
>100	±1.6
>200	±2.0
Diameter	Tolerance
<25	±0.4
>25	±0.8
>50	±1.2

Revision	Date	Modifications	Material	Refer to drawing
00	09/15/2025	Initial Issue	Colour	Matt Silver
			Material Code	3332676
			Unit	mm
			Weight	9.7±0.2g
			Drawn by	Pump Supplier
			Approved by:	



Drawing no. MSSW24410-MS-3332676 Controlled

Description: Smooth Wall 24410 Mist Spray with clear Over Cap MSSW24410